

Portable Floor Cranes 400 Series



Portable Floor Cranes



The Portable Floor Crane Series

Adjustable telescoping boom

Boom adjusts telescopically for various desired lengths

Manually operated hydraulic jack

For raising the boom, equipped with a control knob for smooth lowering of loads

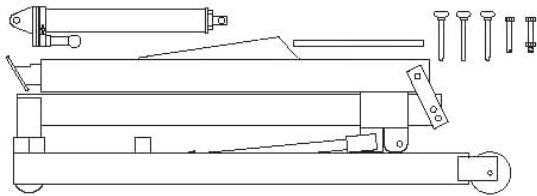
Four wheel base

With scratch and spark resistant wheels in front, and caster wheels in back for 360° maneuverability. Four point support ensures stability under load

Folding models

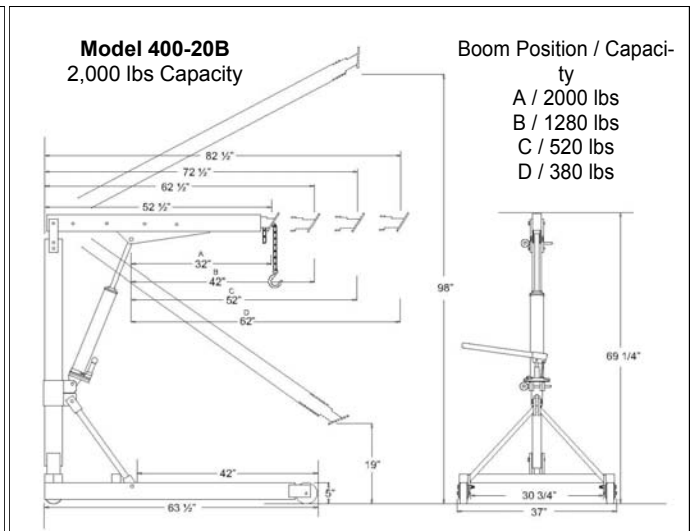
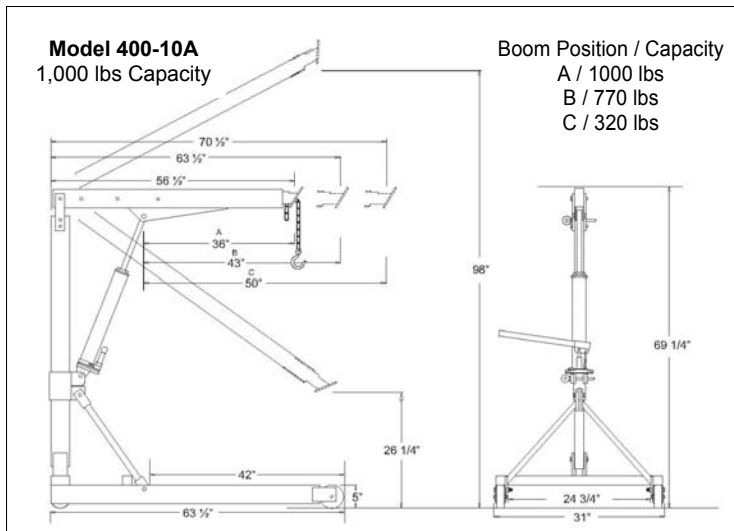
Fold down into a compact unit for storage or transport. This means you can easily move the crane where you need it, whether you need it in the building next door or in the shop on the other end of town

Compact unit folds for storage or transport in minutes



Replacement hydraulic pump
Pump (seal) wear parts kit

Model LRJ3-3
Model LRJ3-3RK



If your capacities are not shown with our standard designs, custom designs can be engineered to satisfy specific needs.