

# Gantry Cranes 1500 Series



Gantry Crane Series



## The Gantry Crane Series

### Portable and Adjustable Height

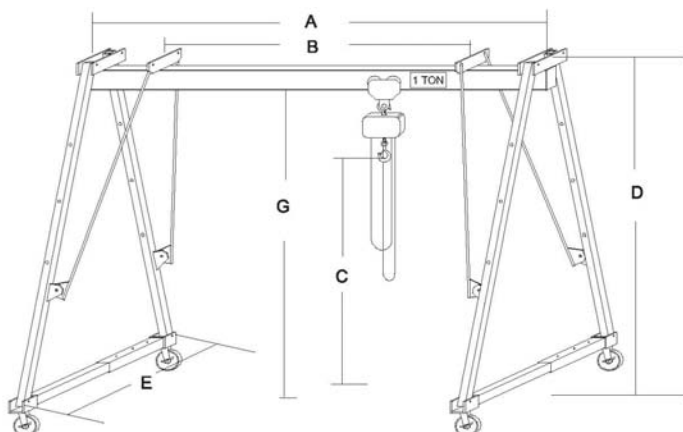
Their installation is fast and simple, easily assembled and adjusted to various heights. Adjusted by inserting a push/pull pin.

**Cost Savings:** Depending on the environment and application, gantry cranes can sometimes provide the same material handling capabilities as a comparable bridge crane system, but with a significant cost savings.

**Robust Construction:** The heavy duty frame design with heavy gauge square tubing uprights, legs and braces provides stable lifting and movement.

**Tested Design:** Offering greater stability allowing the I-beam to pivot independently and to self center over a load.

**Wheels:** Are equipped with swivel casters and brakes.

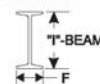


Chain blocks & Trolleys available

All gantries c/w swivel casters & breaks

- 1 Ton models have 6" phenolic casters
- 2 Ton models have 6" cast iron casters
- 3 Ton models have 8" cast iron casters

CROSS SECTION VIEW OF THE T-BEAM



### GANTRY CRANE SPECIFICATIONS

MODEL	CAP. LBS.	Over all Span A	Clear Span B	Hook lift Min./Max. C	Over all Height D	Beam Height	Wheel Spread E	Beam Width F	Height under the beam G	Beam No.	Shipping Weight lbs
1500-20-10	2,000	10'	4'7"	6'6 1/2"/12'4 1/2"	8'9"/14'7"	6"	4'7" / 7'	3 3/8"	7'11 1/2"/13'9 1/2"	S6@12.5	885
1500-20-15	2,000	15'	9'7"	6'4 1/2"/12'2 1/2"	8'9"/14'7"	8"	4'7" / 7'	4"	7'9 1/2"/13'7 1/2"	S8@18.4	1050
1500-40-10	4,000	10'	4'7"	6'4 1/2"/12'2 1/2"	8'9"/14'7"	8"	4'7" / 7'	4"	7'9 1/2"/13'7 1/2"	S8@18.4	1165
1500-40-15	4,000	15'	9'7"	5'10 1/2"/11'8 1/2"	8'9"/14'7"	10"	4'7" / 7'	4 5/8"	7'7 1/2"/13'5 1/2"	S10@25.4	1370
1500-60-10	6,000	10'	4'7"	5'9" / 11'7"	8'9"/14'9"	10"	4'10" / 7'3"	4 5/8"	7'9" / 13'7"	S10@25.4	1430
1500-60-15	6,000	15'	9'7"	5'9" / 11'7"	8'9"/14'9"	10"	4'10" / 7'3"	4 5/8"	7'9" / 13'7"	S10@25.4	1615

If your capacities are not shown with our standard designs, custom designs can be engineered to satisfy specific needs.

